

MGT121AR

12VDC 1 AMP POWER SUPPLY

6' CORD AND 2.1MM BARREL CONNECTOR

FEATURES

- Primary: 100-240VAC 50/60Hz
- Secondary: 12VDC 1 Amp
- 6' cord with 2.1mm barrel connector
- Ultra lightweight
- Fully regulated
- UL,cUL,FCC Listed
- Individually boxed



HOW TO ORDER

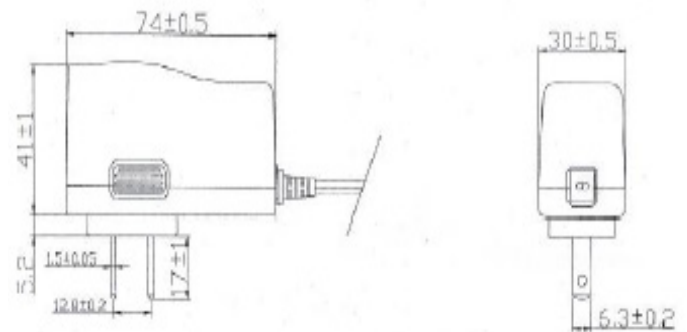
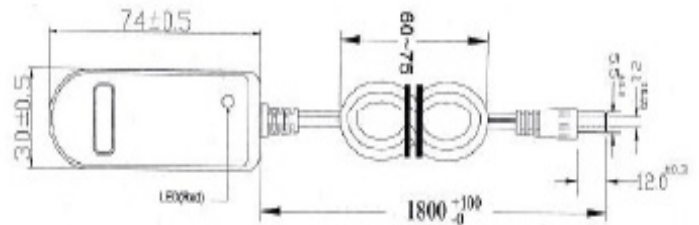
- **MGT121AR**
12VDC 1 AMP POWER SUPPLY

DESCRIPTION

SPECIFICATIONS

- Input: 90VAC to 132VAC, 60 Hz
- Output: 12VDC
 - 0 to 1 amp current
- Rate power: This adapter capable to support 12 Watts continuously at all specified conditions
- Hold up time:
 - 8mS Min at Max load 100VAC / 60Hz
 - 8mS Min at Max load 120VAC / 60Hz
- Dimensions (body): 74mm (L) X 30mm (W) X 41mm (H)
 - DC plug: 5.5 X 2.1 X 12 mm
 - Line length: 1800mm
- Weight: 95000mg
- Color: black

DIMENSIONS



CERTIFICATIONS

- cUL US, CE, CFM, Buildings